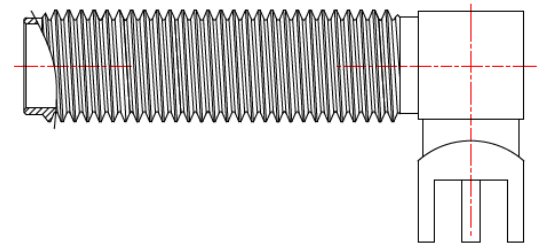


ERF6018, RF connector, SMA Female R/A, PCB Mount

Features

Mechanical Properties

| Parameter: | Description |
|------------------------------|------------------------|
| Connector Type: | SMA Female Right Angle |
| Dimensions: | 29 x 13 x 6 mm ± 0.1 |
| Operating Temperature Range: | -20°C~+65°C |
| Storage Temperature Range: | -20°C~+65°C |
| Impedance: | 50 Ω |
| Frequency Range: | 0 – 3GHz |
| VSWR: | 1.3 max. |
| Working Voltage: | 500Vrms @sea level |
| Insulation Resistance: | 5000 Ω min. |



Typical applications

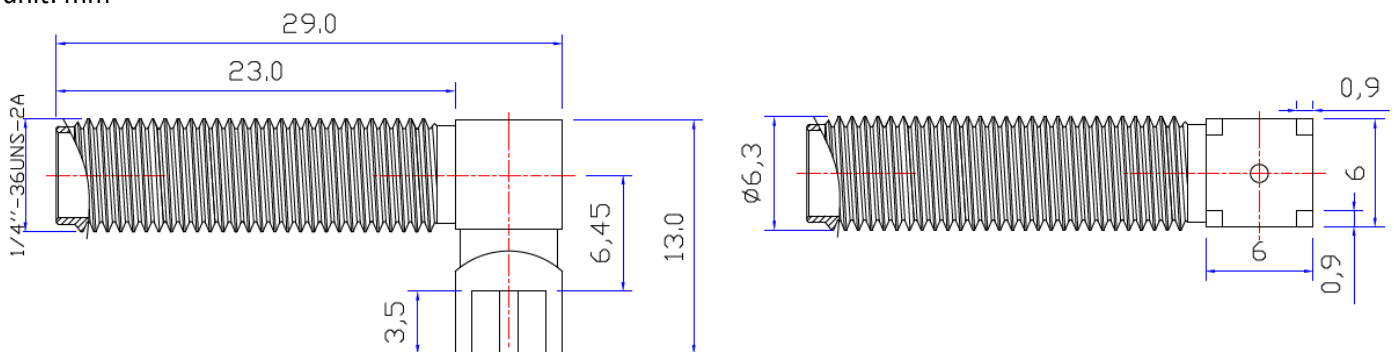
- RF connections
- Antenna connector
- Antenna cable connector

Description

The ERF6018 is a RF connector suitable for RF applications. The connector is a SMA Female Right angle PCB mount connector. It can be used for RF connections and as antenna connector.

Dimensions

*unit: mm

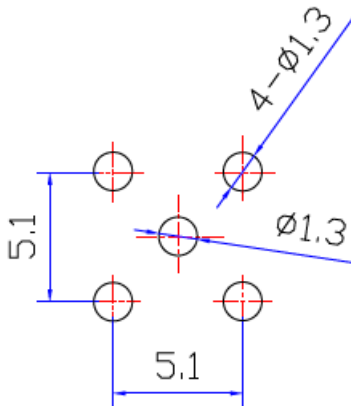


| Part | Description | Material | Finish |
|------|-------------|----------|--------|
| 1 | Body 1 | Brass | Gold |
| 2 | Body 2 | Brass | Gold |
| 3 | Insulator 1 | PTFE | White |
| 4 | Center Pin | Brass | Gold |
| 5 | Insulator 2 | PTFE | White |

ERF6018, RF connector, SMA Female R/A, PCB Mount

PCB Footprint

*unit: mm

**Ordering information**

Ordering can be done via www.summit-electronics.com or via info@summit-electronics.com. Please contact us for more information. Customisation of the product is available on request.

Technical support

For all product questions please contact us via info@summit-electronics.com